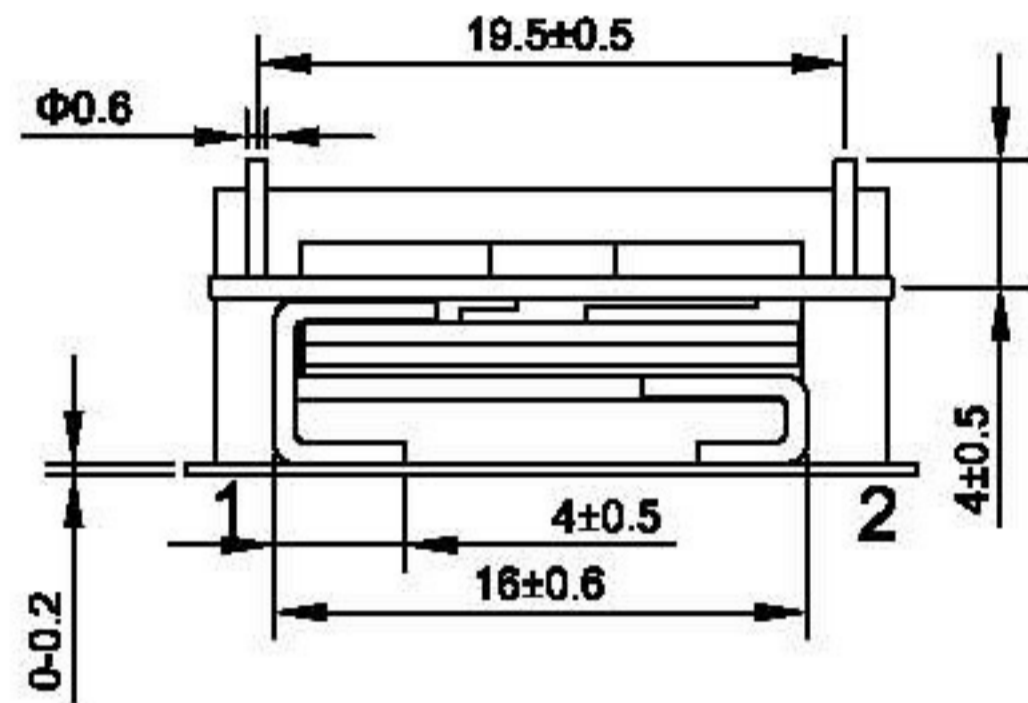
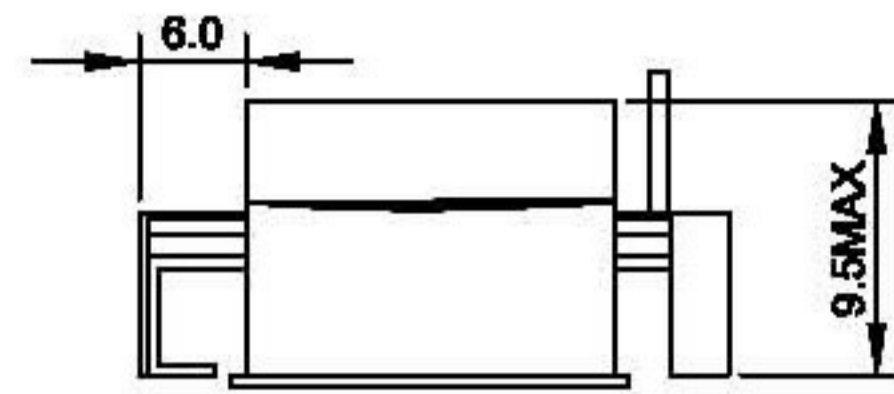




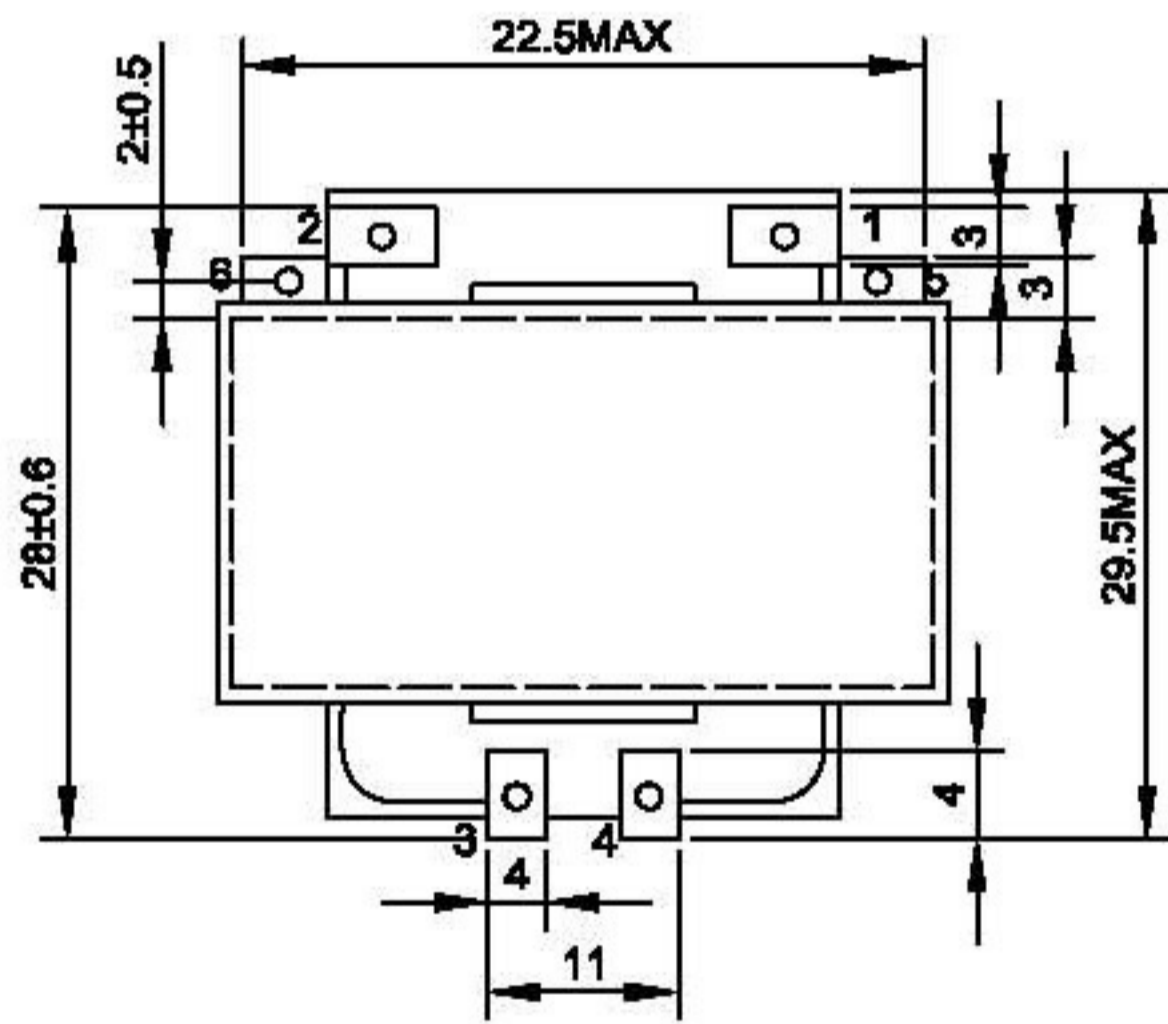
# SHENZHEN JQL ELECTRONICS CO.,LTD



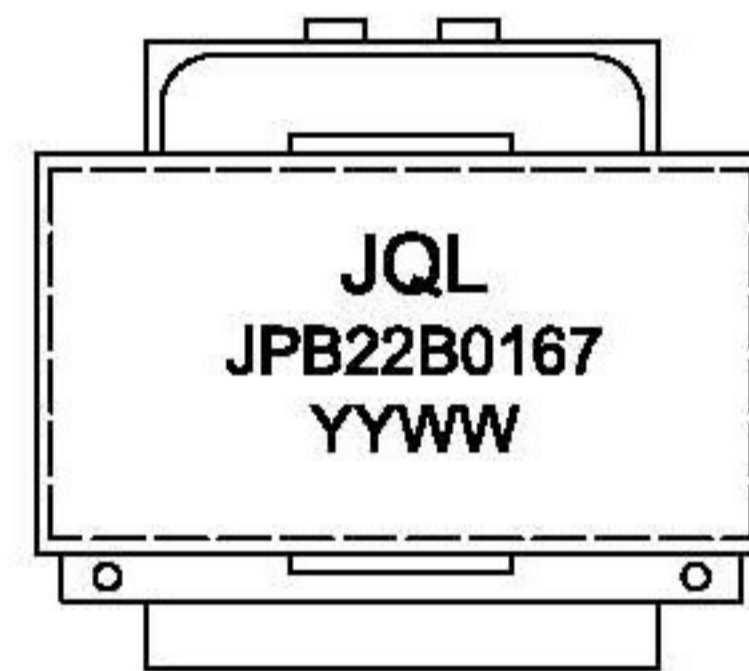
FRONT VIEW



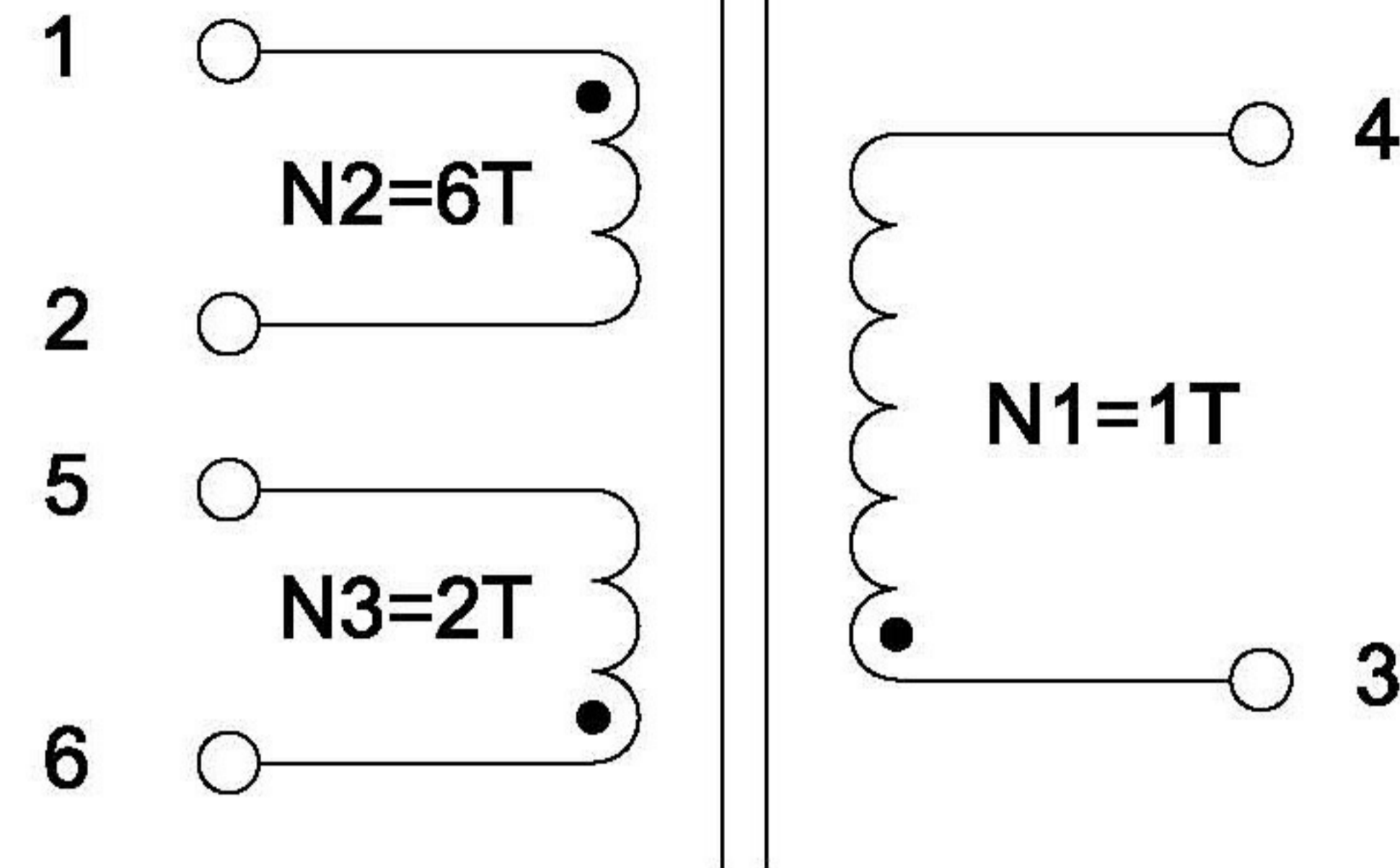
SIDE VIEW



BOTTOM VIEW



TOP VIEW



## TEST NOTES

UNLESS OTHERWISE SPECIFIED, TESTING IS PERFORMED AT 100 KHz, 1000mV, 25°C ± 5°C.

1. TURNS RATIO AND POLARITY:(100% TEST)  
(3-4)/(1-2)/(6-5)= 1:6:2
2. INDUCTANCE:(100% TEST)  
(1-2)=170uH ± 25%uH
3. DCR:(SAMPLE TEST)  
(1-2)= 12.0m Ω MAX  
(3-4)= 0.5 m Ω MAX
4. HI-POT:(100% TEST)  
N2,N3-N1 : DC 1.5KV/1mA/60sec  
N1,N2,N3-CORE: DC 1.0KV/1mA/60sec  
N2-N3: DC 0.5KV/1mA/60sec